

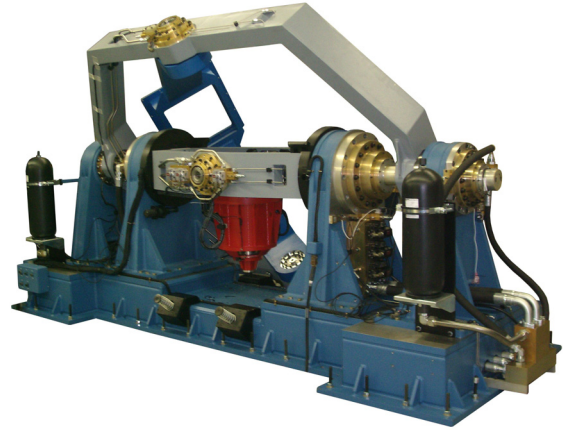
**Model 2405H-ER  
Five-Axis Electro-Hydraulic  
Flight Motion Simulator (FMS)**

**STANDARD FEATURES**

- Position Accuracy:  $\pm 10$  arc sec
- Inter-axis Orthogonality: 30 arc sec
- Axes intersection:  $\pm 0.02$ " ( $\pm 0.5$ mm)
- Rate Accuracy:  $\pm 0.01\%$
- Roll axis rates up to 20 Hz (1200 RPM)
- Rack-mounted AERO 4000 Digital Controller
  - Front panel display of status and data
  - Local and remote operation
  - Trapezoidal velocity profiles (in rate mode) with programmable velocity and acceleration
  - Sinusoidal motion generator, with programmable amplitude and frequency
  - Profile mode for position, velocity, and flight (PVA) commands
  - Programmable analog inputs and outputs

**DESCRIPTION**

The 2405H-ER extends the capabilities of Ideal's three-axis FMS systems for hardware-in-the-loop (HWIL) seeker/guidance testing, to include target motion simulation. The inner target axis can accommodate an infra-red scene projector. Extremely efficient hydraulic actuators allow high system utilization – such as Monte Carlo-type test scenarios – on a time-continuous basis. As with our three-axis FMS systems, Ideal's flexible AERO 4000 Controller affords real-time motion control via several industry-standard high-speed interfaces. The 2405H-ER features a direct-drive DC brushless motor for the innermost (Roll) axis, high-

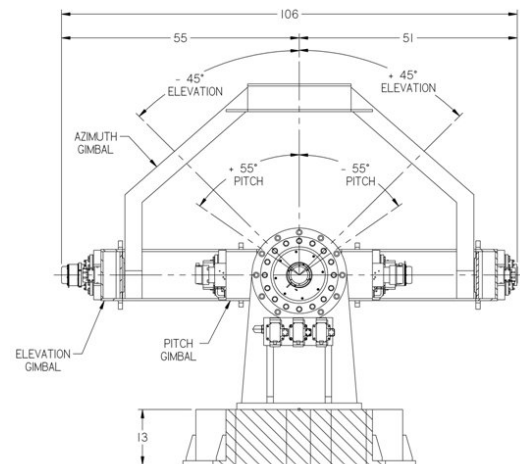
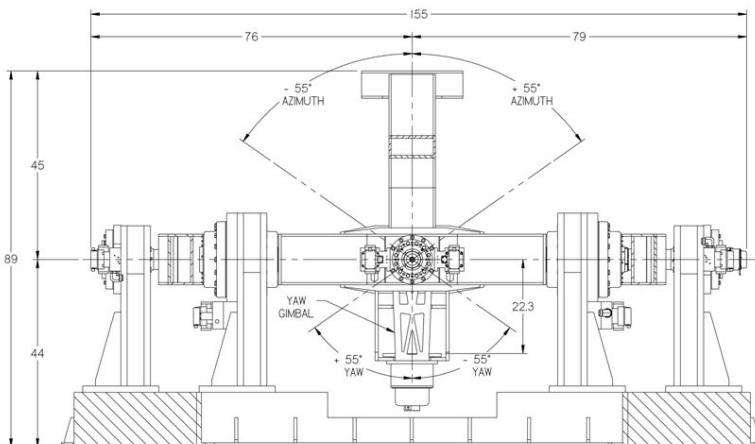


performance hydraulic vane actuators on the remaining four axes, and precision optical encoders on all axes. The AERO 4000 digital signal processor-based (DSP) controller provides accurate and reliable motion control. The user can operate the FMS from the AERO 4000 Graphic User Interface for local control, or remotely via a computer interface. It affords easy operation, and can accommodate the Ideal Aerosmith Table Language (ATL) for remote operation. The AERO 4000 controller comes standard with IEEE-488, RS-232, and Ethernet communication interfaces.

**OPTIONS**

- Various sliping packages or wire wrap configurations
- Systran Corporation SCRAMNet or VMIC shared-memory interfaces

***For more detailed information, contact Ideal to request a Specification Document.***



<b>Performance Specifications</b>					
	<b>Inner (Roll)</b>	<b>Middle (Yaw)</b>	<b>Out (Pitch)</b>	<b>Inner Target (Azimuth)</b>	<b>Outer Target (Elevation)</b>
<b>Rotational Freedom Options</b>	Unlimited	±50	±50	±50	±45
<b>Positioning</b>					
• Accuracy, arc sec (deg)	±10 (±0.0028)	±10 (±0.0028)	±10 (±0.0028)	±10 (±0.0028)	±10 (±0.0028)
• Repeatability, arc sec (deg)	±5 (±0.0014)	±5 (±0.0014)	±5 (±0.0014)	±5 (±0.0014)	±5 (±0.0014)
• Resolution, deg	0.0001	0.0001	0.0001	0.0001	0.0001
<b>Rate</b>					
• Maximum, deg/sec	±7200	±400	±400	±100	±100
• Minimum, deg/sec	±0.001	±0.001	±0.001	±0.001	±0.001
• Display Resolution, deg/sec	±0.001	±0.001	±0.001	±0.001	±0.001
• Accuracy, % ± Resolution	±0.01 (measured over 360° of travel)	±0.02 (measured over 90° of travel)	±0.02 (measured over 90° of travel)	±0.02 (measured over 90° of travel)	±0.02 (measured over 90° of travel)
<b>Acceleration, max., deg/sec<sup>2</sup></b> (sinusoidal move)	20,000	15,000	15,000	1,200	1,200
<b>Bandwidth, -3dB,</b> (with nominal payload)	45	35	35	10	10

\*Values listed are maximum values and are dependent upon system configuration. Performance parameters may vary between various configurations of the Model 2455H-ER.

<b>System Physical Configuration</b>	
<b>Roll plate</b>	The roll plate has a standard size of 14-inch (350 mm) diameter. Custom tabletop and interface patterns available upon request.
<b>Roll plate Connectors</b>	MS-type connector(s), located on roll plate periphery
<b>Number of User Lines</b>	Standard slipring package is 48 lines at 5 amps per line. Custom packages are available.
<b>Test Load</b>	
• Nominal	44 lbs (20kg), 2.75" (70 mm) diameter, 24" (600mm) long
• Maximum	132 lbs (60kg), 14" (350 mm) diameter, 24" (600mm) long
<b>AERO 4000 Digital Controller</b>	Request an AERO 4000 Controller data sheet for more information.
• Type & Configuration	AERO 4000 Test Table Controller configured in a 19-inch Cabinet
• Communication Interfaces	IEEE-488, RS-232 and Ethernet ports available to user. Systran Corporation SCRAMNet or VMIC shared-memory interfaces available as options.

For additional information or special requirements, contact Ideal Aerosmith. Specifications subject to change without notice. Please call for pricing.

Rev B